

Fiberline HD Angle

Custom-made bracket for mounting Fiberline HD plank on substructures of wood. The bracket is screwed to a wooden beam, thus ensuring a stable load transmission. The bracket is designed to be fitted anywhere under the plank and it is not necessary to push it from one side.

Installation guide

Angle the preassembled HD Angle between the legs of the HD plank. Push the bracket right up until the HD clip is inside between the legs of the plank.

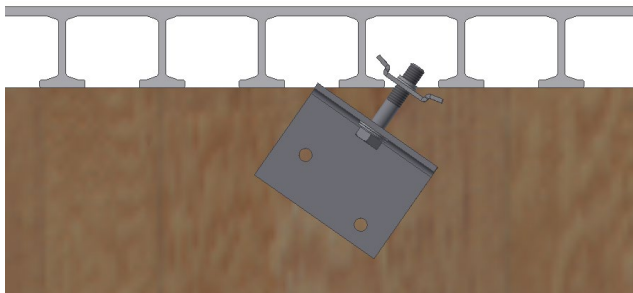


Figure 1

Move the bracket assembly towards the substructure and tighten the bolt to 5 Nm.



Figure 3

Components of the HD Clamp

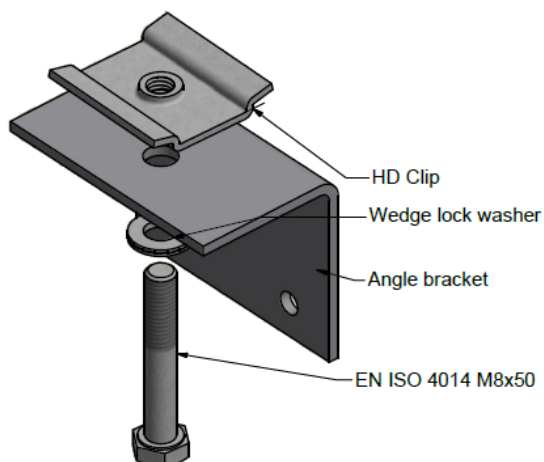


Figure 5

Straighten the bracket and pull it down to the feet of the plank. Make sure that the bracket is in the middle of the legs.

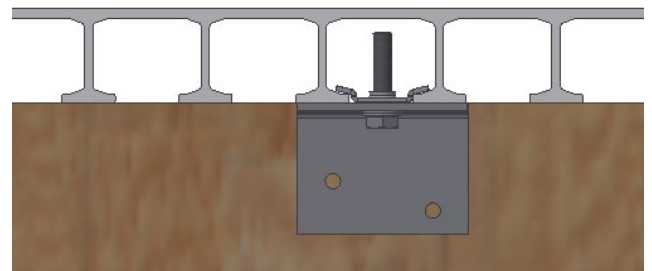


Figure 2

We advise fastening the plank with two HD Angles in the 3rd and 8th cavities as shown in figure 4.

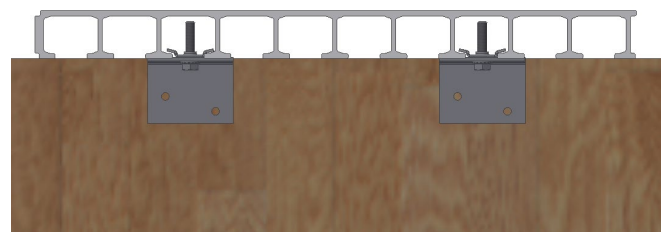


Figure 4