

Fiberline U Clip

Custom-made clamp for clamping Fiberline moulded and pultruded gratings on substructures of steel or fibreglass.

Installation guide

Place the bracket over the chosen opening and push the bolt through the pre-drilled hole.

Ensure that the bracket is centralized. Thread the washer and tighten the nut.

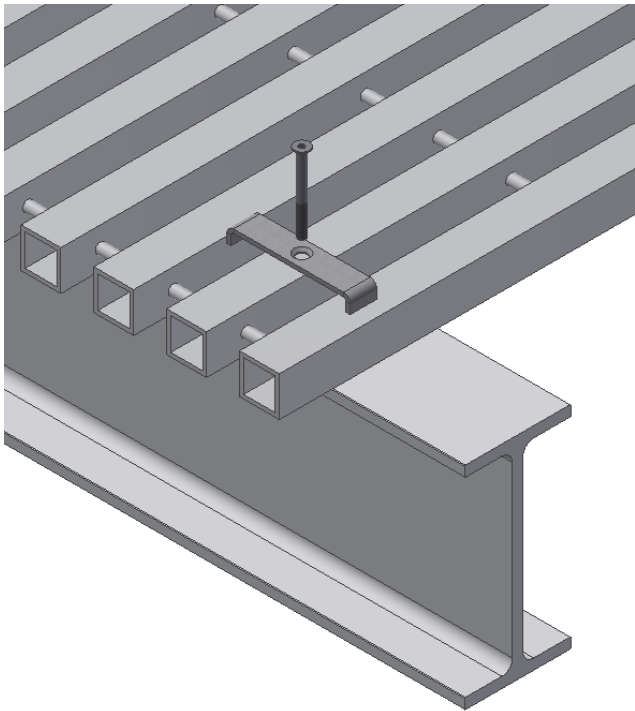


Figure 1

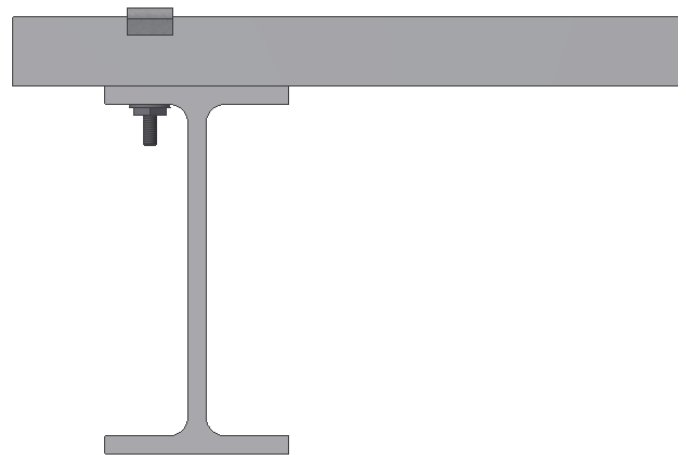


Figure 2

Components of the U Clip

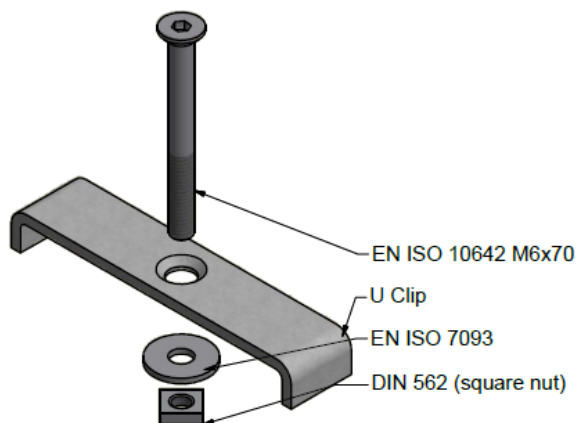


Figure 3