

Fiberline M Clip

Custom-made bracket for mounting Fiberline moulded gratings on substructures of steel or fibreglass. The bracket is bolted through the flanges, thus ensuring a stable load transmission.

Installation guide

Place the bracket over the chosen mesh opening and push the bolt through the pre-drilled hole.

Ensure that the bracket is centralized. Thread the washer and tighten the nut.

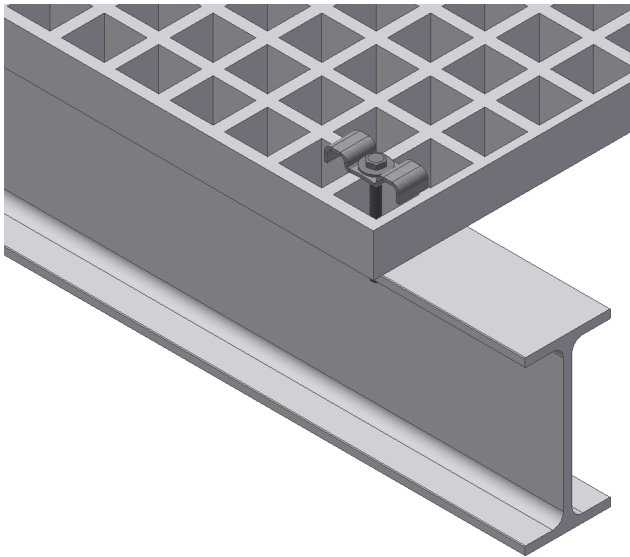


Figure 1

We advise to fasten the moulded gratings with M Clips in each corner support beam or no more the 1-meter of distance.

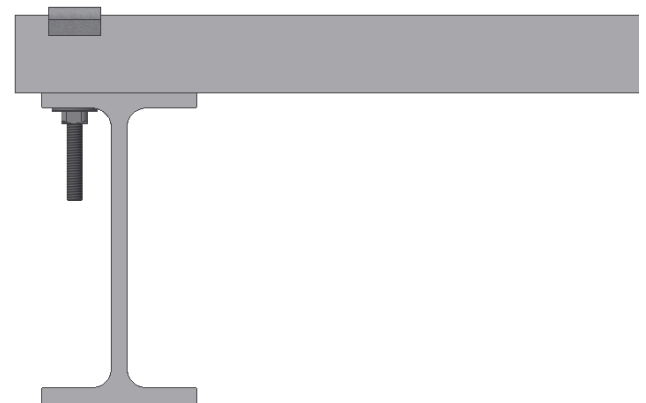


Figure 2



Figure 3

Components of the M Clip

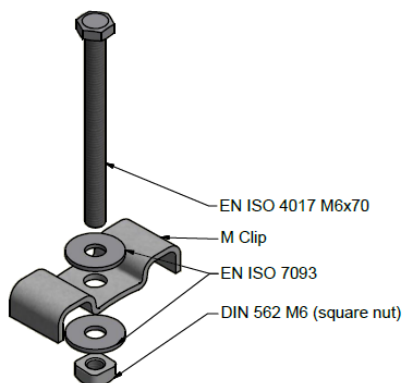


Figure 4