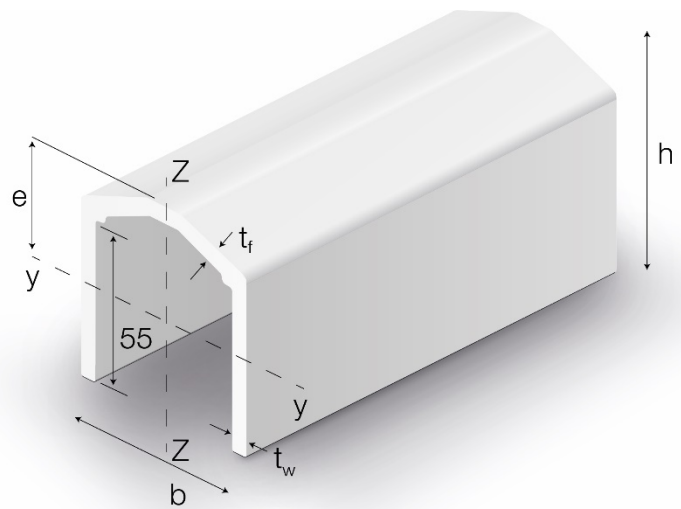
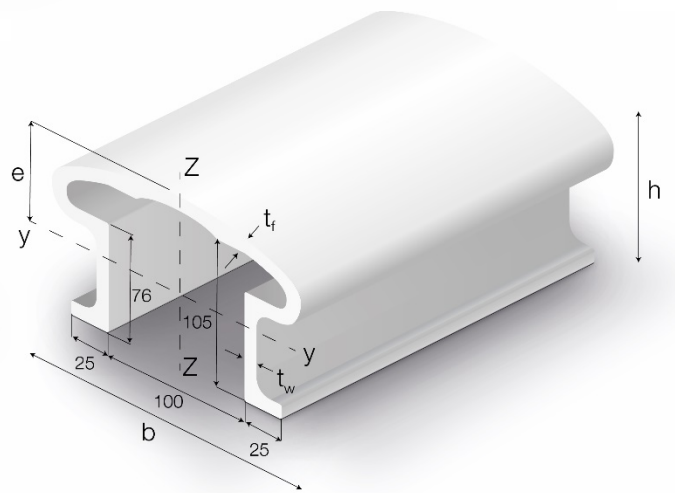
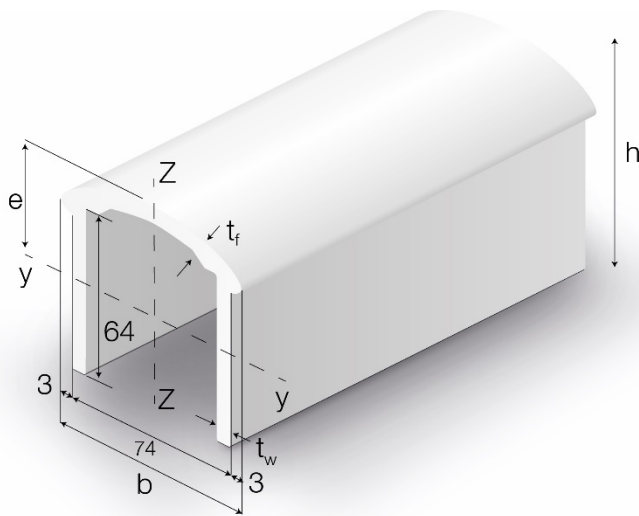


FIBERLINE
BUILDING PROFILES



Handrail profiles



Handrail profiles h x w x t	h mm	w mm	t _f mm	t _w mm	A mm ²	A _{s,z} mm ²	A _{s,y} mm ²	g kg/m	I _{yy} mm ⁴	I _{zz} mm ⁴	e mm
Factor	1	1	1	1	10 ³	10 ³	10 ³	1	10 ⁶	10 ⁶	1
70 x 60 x 5	70	60	5	5	0,86	0,58	0,30	1,55	0,38	0,50	29,39
80 x 80 x 7	80	80	7	7	1,49	0,64	1,28	2,67	0,87	1,31	31,9
120 x 180 x 8	120	180	8	8	3,77	1,81	2,53	6,78	5,55	12,80	47,6