

Fiberline Clamp

Custom-made clamp for clamping Fiberline moulded and pultruded gratings on substructures of steel or fibreglass. The clamp is designed to fit through the mesh opening making it possible to install and fasten gratings from above.

Installation guide

Place the bracket (M, W or U clip) over the chosen mesh opening and push the bolt through the pre-drilled hole.

Ensure that the bracket is centralized. Thread the clamp and tighten the nut.

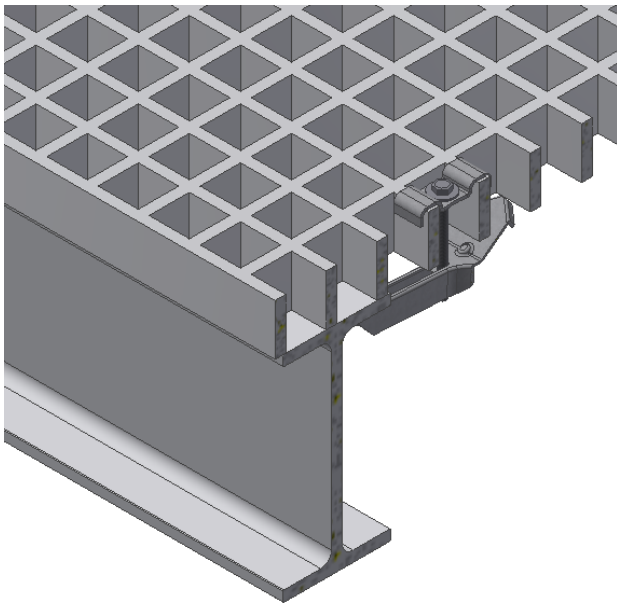


Figure 1

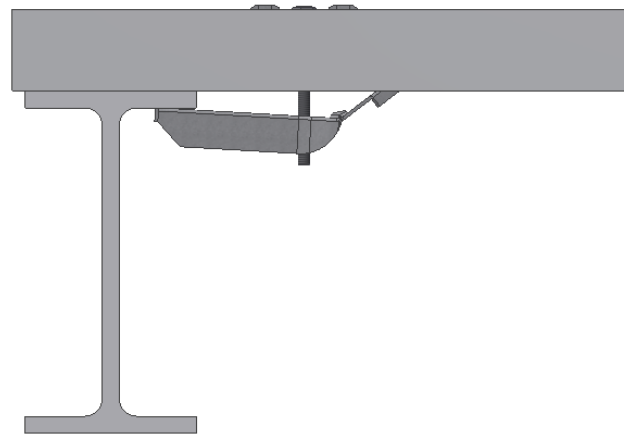


Figure 2

Components of the clamp

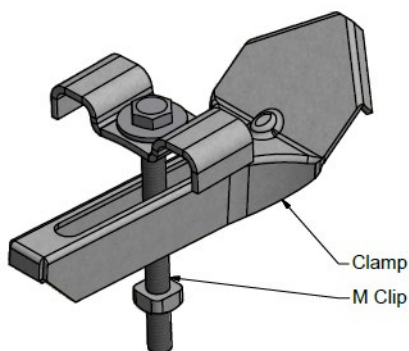


Figure 3