

Fiberline Coupling Clip

For MD and HD planks

Custom-made coupling clip for mounting Fiberline planks together. The coupling clip can be used for MD and HD planks. The clip clamps planks together, thus ensuring a minimum gap. The bracket is designed to be fitted anywhere under the plank and it is not necessary to push it from one side.

Installation guide

Using 5 mm Allen key unscrew the bolt and widen the clamping distance of the clip.

Place the clip between the two planks and start tightening the bolt.

When the planks are clamped together there, should be a distance of about 3 mm in the lower part of the clip.

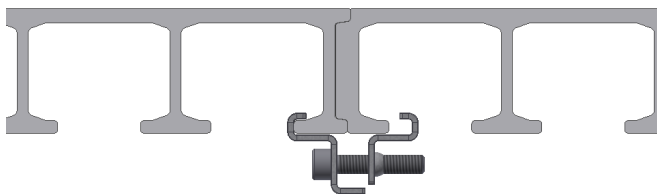


Figure 1

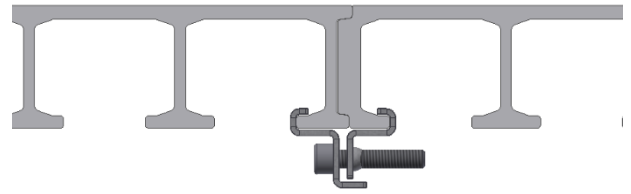


Figure 2

Components of the Coupling Clip

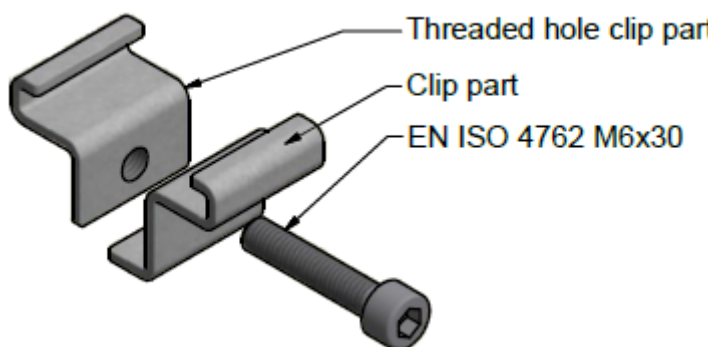


Figure 3